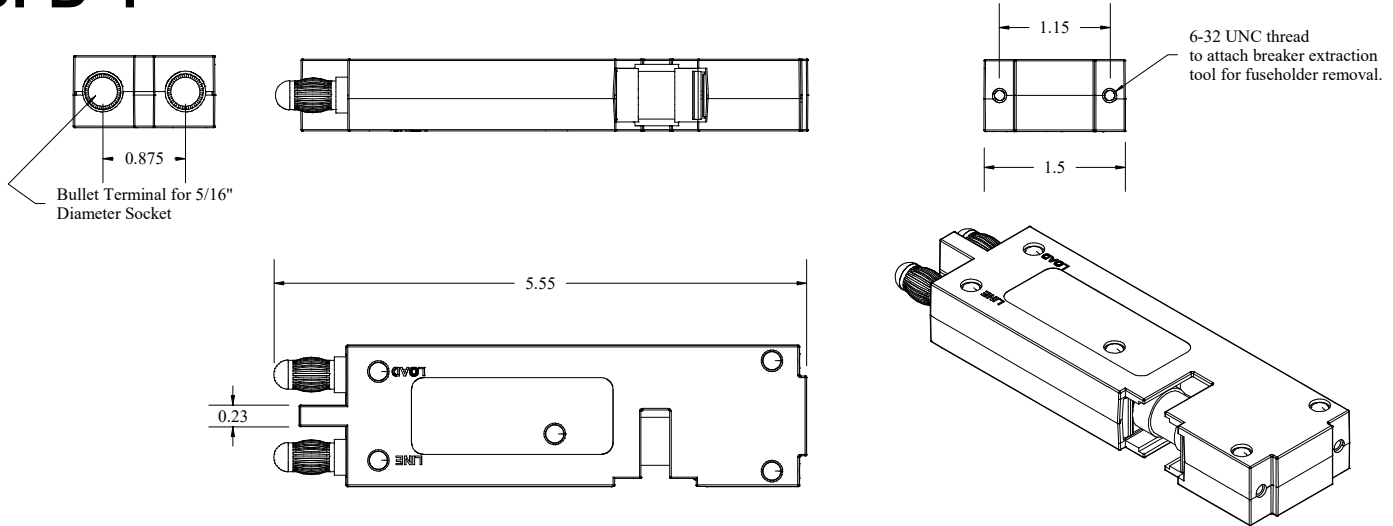
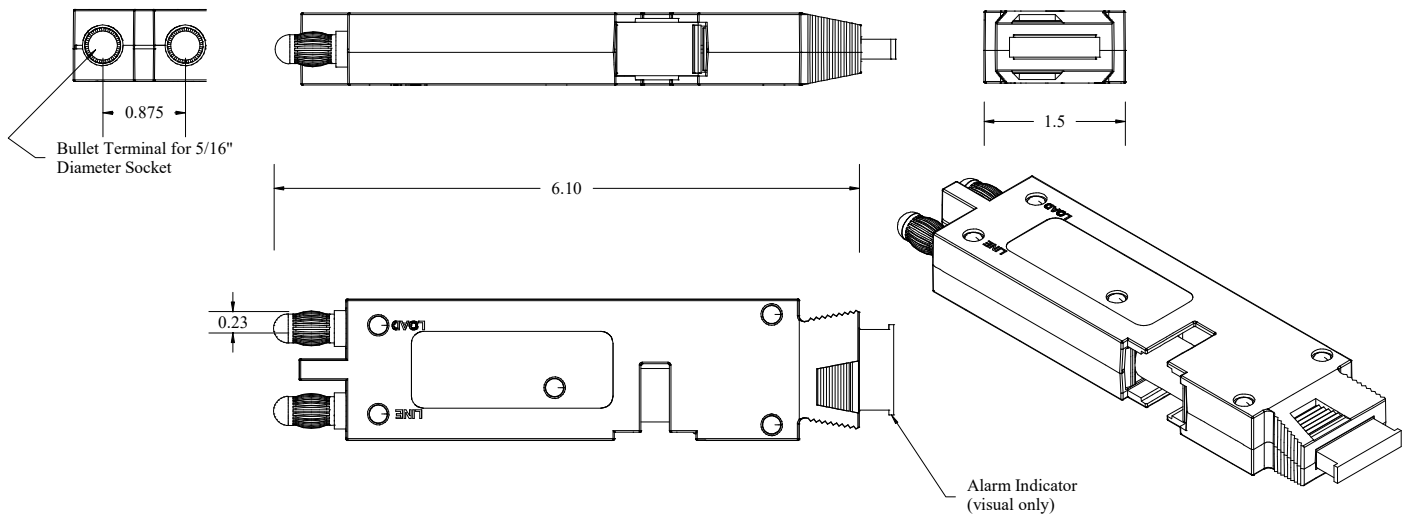


## SFD 1 to 100 Amps, 80VDC TELECOM FUSED DISCONNECT

### SFD-1



### SFD-2



#### Characteristics:-

Innovative pullout design eliminates need for tools to replace fuse.  
 Bullet terminals standard for current connections.  
 Front access to fuse.  
 Alarm signal circuit (visual SFD-2 only)  
 Thermoplastic housing material UL Rated 94V-O, 170°C.

#### Specifications:-

**Current Rating:** 1-100 Amps D.C.  
 (Maximum continuous load  
 80% of the fuse rating)

**Voltage Rating:** 80 Volts DC

**UL Withstand Rating:** 10,000Amps D.C.

**UL Recognized:** File E122674

**Fuses:** For use with the following fuses only:-  
 Littelfuse® Type TLS up to 100A or  
 Telpower® Type TPS up to 70A  
 0.880"±0.015"

Alarm fuse: 0481.180HXL, GMT 18/100Amp  
 or AX1B 18/100A

**RoHS Compliant / REACH Compliant**

\*Instantaneous short-circuit current not to exceed 480Adc